

DESCRIPTION

The Energoline is a bench/ceiling/wall mounted radiant heater. Energoline radiates a gentle, low temperature heat and is used for spot heating of localised areas. The heat is approx 90% radiant and 10% convection providing a natural warmth with a rapid warm up time.

APPLICATION

Can be used as bench heater for churches waiting rooms, office and reception areas, packing sheds etc.
Ceiling or wall mounted applications for spot heating.

COMPLIANCES

- IEC 60335-2.30
- IP44 splash proof design.

CONSTRUCTION

- Powder coated galvanised sheet metal.
- Glass wool insulation – 25mm thick.
- Standard colour RAL 9010 (warm white).
- Slim design 35mm including integral fixing bracket.



Type	Power (W)	Length (mm)	Breadth (mm)	Height (mm)	C/C	Minimum Distance to Heated Surface	Mass (kg)
EL200	150	1000	210	35	990	See Fig 1 below	3.0
EL300	220	1480	210	35	1470	See Fig 1 below	4.5

Fig 1

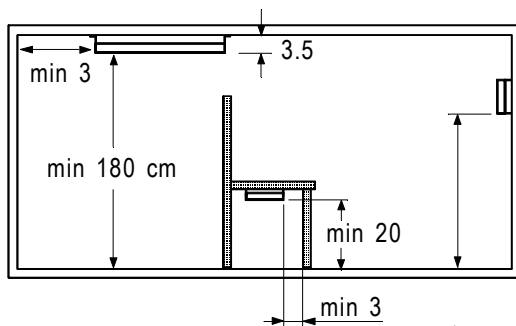
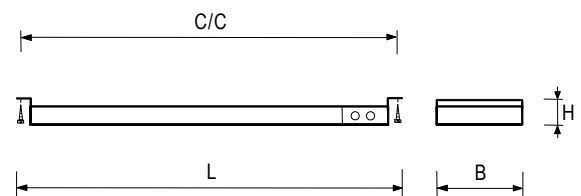


Fig 2



INSTALLATION

- The heater is fixed using the integral bracket.
- The heater should only be mounted horizontally.
- Ensure a minimum clearance as in Fig 1 above.
- Connect 3 core heat resistant flex to supplied 4mm terminal in junction box at top of heater.

ENERSAVE Products Limited

NEW ZEALAND ◻ PO Box 8867, CHRISTCHURCH ◻ Free Phone/Fax : 0800 508 509 ◻ Email : info@enersave.co.nz ◻ www.enersave.co.nz