

### DESCRIPTION

The Siemens range of air curtains featuring a compact unobtrusive design with a range of three sizes - 3.0, 4.5 and 6.0kW. All models have a switchable 50% output as well as fan only mode for summer air circulation. They can be wall or ceiling mounted. 2 year manufacturers warranty.

### APPLICATION

The Siemens Air Curtain provide multi-directional, powerful curtain of warm air above the entrance to shops, offices and most small doorways. They are wall or ceiling mounted above doorways to produce a curtain of air that reduces the loss of heat and entry of draughts. They are also suitable in situations where a high-level fan heater is required. Suitable for both domestic and commercial use. Model 2ND5 381 and 2ND5 382 for single doorways, Model 2ND5 383 for double doorways. The heaters maybe mounted end to end for wide doorways.

### COMPLIANCES

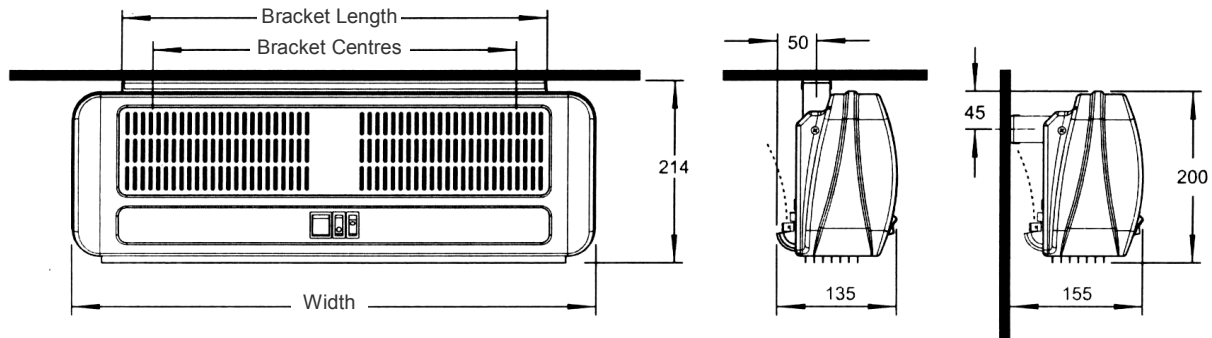
- IEC 60335-1
- IEC 60335-2.30

### CONSTRUCTION

- Two metal filament type heating elements.
- Two fans (33 watts total).
- Double pole rocker switches - choice of full heat, half heat or fan only (for summer air circulation) settings.
- Two thermal cut-outs with manual reset.
- Adjustable airflow direction.
- Powder coated steel body with ABS end caps.
- Adjustable mounting bracket.
- Colour - RAL 9010 White.
- 230 - 240V, 1Ø, 50Hz.
- IP21 drip proof protection category.



| Type     | Power (W) | Minimum Mounting Height (mm) | Air Volume Flow (m³/h) | Noise (dBA) | Width (mm) | Height (mm) | Depth (mm) | Bracket Centres (mm) | Bracket Length (mm) | Mass (kg) |
|----------|-----------|------------------------------|------------------------|-------------|------------|-------------|------------|----------------------|---------------------|-----------|
| 2ND5 381 | 1500/3000 | 2000                         | 212                    | 50.5        | 605        | 214         | 135        | 424                  | 492                 | 5.1       |
| 2ND5 382 | 2250/4500 | 2000                         | 248                    | 52.0        | 605        | 214         | 135        | 424                  | 492                 | 5.2       |
| 2ND5 383 | 3000/6000 | 2000                         | 446                    | 57.0        | 905        | 214         | 135        | 721                  | 788                 | 7.2       |



### INSTALLATION

- The heater maybe either wall mounted or fixed to a ceiling.
- The mounting bracket is removed to enable fixing to the wall or ceiling. The heater is then re-located on the mounting bracket and adjusted to the required angle.
- Optimum mounting height of up to 2300mm from floor level.
- Electrical connections access by removing the air outlet grille.

### ENERSAVE Products Limited

NEW ZEALAND ◦ PO Box 8867, CHRISTCHURCH ◦ Free Phone/Fax : 0800 508 509 ◦ Email : info@enersave.co.nz ◦ www.enersave.co.nz  
 AUSTRALIA ◦ Unit 107/45 Gilby Road, Mount Waverley, VICTORIA 3149 ◦ Phone 61 3 9558 8211 ◦ Fax 61 3 9558 8222 ◦ ARBN 093 247 413